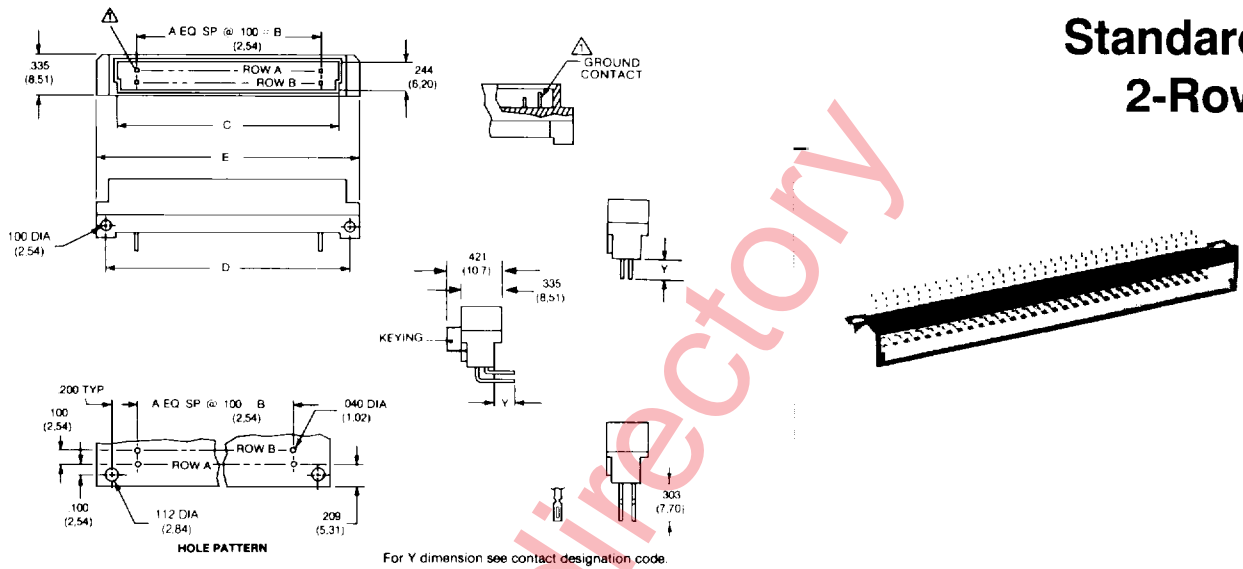


Style B & 1/2 B Header

8457

Standard
2-Row



ORDERING CODE Typical Example

10 8457 **064** **002** 025

PREFIX

10-PIN WITHOUT KEYING 16-PIN WITH BOARD RETENTION CLIP FOR .062" (1.6mm) BOARD WITHOUT KEYING
12-PIN WITH KEYING 17-PIN WITH BOARD RETENTION CLIP FOR .062" (1.6mm) BOARD WITH KEYING

SERIES

Standard DIN, style B and 1/2 B

NUMBER OF CONTACT CAVITY POSITIONS

NO. CONTACT POSITIONS	CONTACT ROWS	A	B	C	D	E
032	2 (2 x 16)	15	1.500 (38,10)	1.754 (44,55)	1.900 (48,26)	2.100 (53,34)
064	2 (2 x 32)	31	3.100 (78,74)	3.354 (85,19)	3.500 (88,90)	3.700 (93,98)

CONTACT DESIGNATION CODE

CODE NO.		DESCRIPTION	TERMINAL LENGTH = Y
001		P.C. contact sq. terminal	.134 (3,40)
002		P.C. contact right angled, short sq. terminal	.118 (3,00)
△ 102		Ground contact	
003		Straight wire wrapping sq. terminal	.512 (13,0)

CODE NO.		DESCRIPTION	TERMINAL LENGTH = Y
004		P.C. contact right angled for 2 wire wraps. sq. terminal	.445 (11,30)
006		Solder Hole	.303 (7,70)
007		Solder Loop	.252 (6,40)
008		P.C. contact right angled, short sq. terminal	.090 (2,3)

VARIATION CODE

	Gold All Over		Gold Contact Area, Tin/Lead Terminal		
Class	DIN 41612 Class II	DIN 41612 Class III	DIN 41612 Class II	DIN 41612 Class III	
Cycle Life	400 Cycles	50 Cycles	400 Cycles	50 Cycles	
Variation Code Numbers				Contact Loading Positions	
	097	073	025	001	Fully loaded .100 (2,54) grid
	099	075	027	003	Row A Fully loaded .100 (2,54) grid

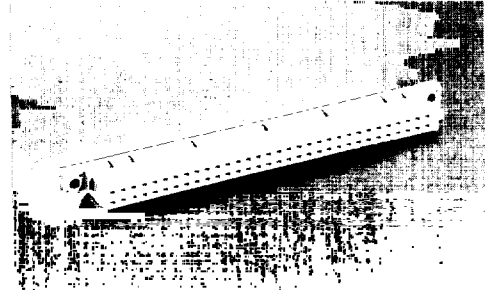
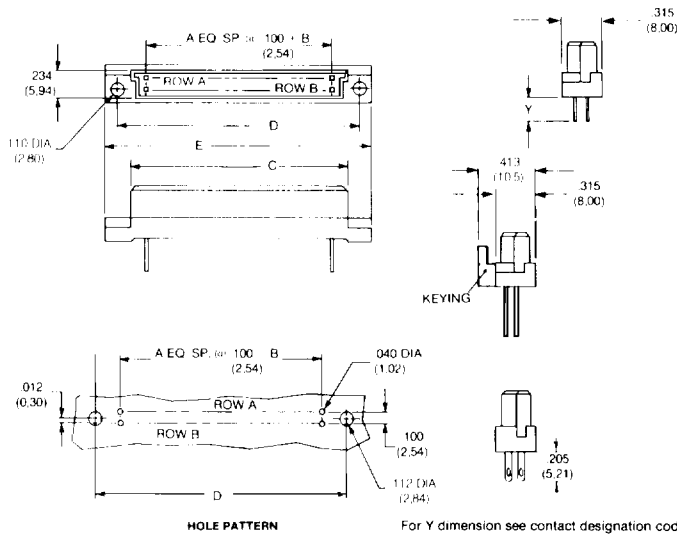
NOTE: For alternate loading and plating, please contact factory.

△ Ground contact row a, first & last position. Shaded variations recommended for standard applications. Available through ELCO franchised distributors.

Style B & 1/2 B Receptacle

8457

Standard
2-Row



DECODING CODE Typical Example

20

8457

064

001

025

PREFIX

- 20-SOCKET WITHOUT KEYING
- 22-SOCKET WITH KEYING
- 24-SOCKET WITH BOARD RETENTION CLIP FOR 125" (3.2mm) BOARD WITHOUT KEYING
- 25-SOCKET WITH BOARD RETENTION CLIP FOR 125" (3.2mm) BOARD WITH KEYING
- 26-SOCKET WITH BOARD RETENTION CLIP FOR 062" (1.6mm) BOARD WITHOUT KEYING
- 27-SOCKET WITH BOARD RETENTION CLIP FOR 062" (1.6mm) BOARD WITH KEYING

SERIES

Standard DIN, Style B & 1/2 B

NUMBER OF CONTACT CAVITY POSITIONS

NO. CONTACT POSITIONS	CONTACT ROWS	A	B	C	D	E
032	2 (2 x 16)	15	1.500 (38,10)	1.744 (44,30)	1.968 (49,99)	2.162 (54,91)
064	2 (2 x 32)	31	3.100 (78,74)	3.343 (84,91)	3.543 (89,99)	3.736 (94,89)

CONTACT DESIGNATION CODE

CODE#	DESCRIPTION	TERMINAL LENGTH = Y
001	P.C. contact, square terminal	.177 (4,50)
002		.114 (2,90)
003	P.C. contact, .012 (0,30) X .031 (0,79)	.177 (4,50)
004		.114 (2,90)
005	Straight wire wrap, square terminal	.512 (13,00)
006		Wire Wrap Consult Factory .677 (17,20)

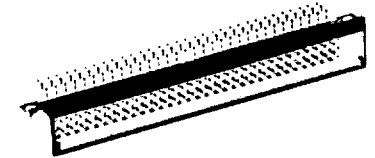
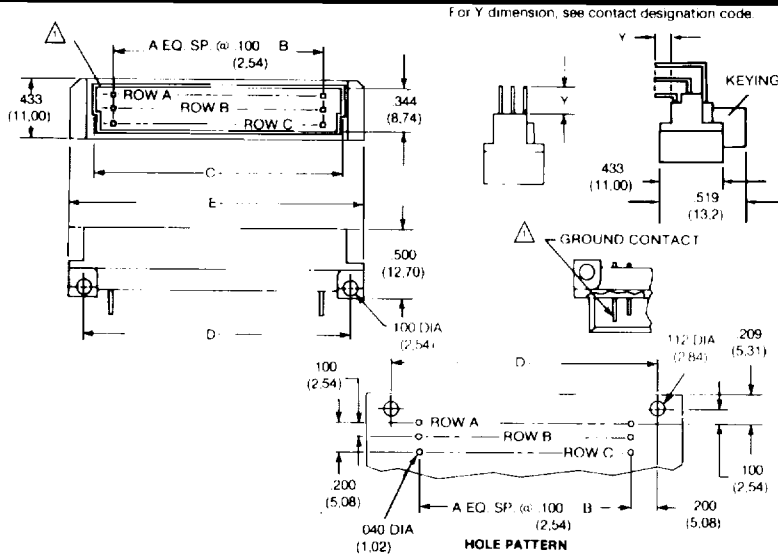
CODE#	DESCRIPTION	TERMINAL LENGTH = Y
009	Solder Eyelet Consult Factory	.205 (5,2)
011	P.C. contact, square terminal	.137 (3,5)
012	Straight wire wrap square terminal	.764 (19,4)
013	P.C. contact, right angle	.177 (4,5)

Class	Gold All Over		Gold Contact Area, Tin/Lead Terminal	
	DIN 41612 Class II	DIN 41612 Class III	DIN 41612 Class II	DIN 41612 Class III
Cycle Life	400 Cycles	50 Cycles	400 Cycles	50 Cycles
Variation Code Numbers				
	097	073	025	001
Contact Loading Positions				
	Fully loaded .100 (2,54) grid			
	099	075	027	003
	Row A Fully loaded .100 (2,54) grid			

NOTE: For alternate loading and plating, please contact factory. Shaded variations recommended for standard applications. Available through ELCO franchised distributors.

Expanded Style C, 1/2 C & 1/3 C Header

8457



ORDERING CODE Typical Example

10

8457

096

002

025

PREFIX

- 10 PIN WITHOUT KEYING
- 12 PIN WITH KEYING
- 16 PIN WITH BOARD RETENTION CLIP FOR .062" (1.6mm) BOARD WITHOUT KEYING
- 17 PIN WITH BOARD RETENTION CLIP FOR .062" (1.6mm) BOARD WITH KEYING

SERIES

NUMBER OF CONTACT CAVITY POSITIONS

Standard DIN, Style C, 1/2 C, & 1/3 C

NO. CONTACT POSITIONS	CONTACT ROWS	A	B	C	D	E	# POS.	CTC ROWS	A	B	C	D	E
△ 090	3 (3 x 10)	9	.900 (22.86)	1.158 (29.41)	1.300 (33.02)	1.497 (38.02)	128	4 (4X32)	Consult Factory				
048	3 (3 x 16)	15	1.500 (38.10)	1.760 (44.70)	1.900 (48.26)	2.122 (53.90)	160	5 (5X32)	Consult Factory				
096	3 (3 x 32)	31	3.100 (78.74)	3.358 (85.29)	3.500 (88.90)	3.697 (93.90)							

CONTACT DESIGNATION CODE

CODE NO.	DESCRIPTION	TERMINAL LENGTH Y	CODE NO.	DESCRIPTION	TERMINAL LENGTH = Y
001	sq. terminal P.C. contact	.134 (3.40)	004	P.C. contact right angled long for 2 wire wrap levels sq. terminal	.445 (11.30)
002	P.C. contact, right angled, short sq. terminal	.118 (3.00)	006	Solder Hole	Row A & C = .303 (7.70) Row B = .409 (10.4)
△ 102			007	Solder Loop	Row A & C = .252 (6.40) Row B = .358 (9.10)
003	Straight wire wrapping sq. terminal	.512 (13.00)	008	P.C. contact right angled, short, sq. terminal	.090 (2.3)

VARIATION CODE

	Gold All Over		Gold Contact Area, Tin/Lead Terminal		
Class	DIN 41612 Class II	DIN 41612 Class III	DIN 41612 Class II	DIN 41612 Class III	
Cycle Life	400 Cycles	50 Cycles	400 Cycles	50 Cycles	
	Variation Code Numbers				Contact Loading Positions
	097	073	025	001	Fully loaded .100 (2.54) grid
	098	074	026	002	Row A&C Fully loaded .100 (2.54) x .200 (5.08) grid

NOTE: For alternate loading and plating, please contact factory.

- △ Ground contact row a, first & last position.
- △ Not available with keying. Shaded variations recommended for standard applications. Available through ELCO franchised distributors.