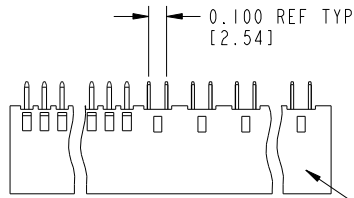


Tous droits strictement réservés. Reproduction ou communication a des tiers interdite sous quelque forme que ce soit sans autorisation écrite du propriétaire. Propriété de c FCI. Droits de reproduction FCI.

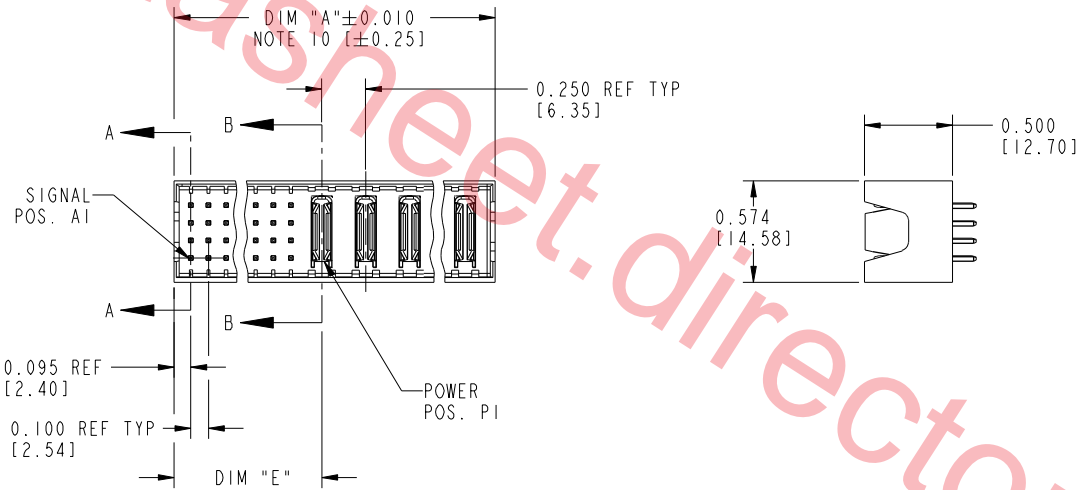


All rights strictly reserved. Reproduction or issue to third parties in any form whatever is not permitted without written authority from the proprietor. Property of FCI. Copyright FCI.

PRODUCT NUMBER
51705-A00CCDDE0_
SEE NOTE 1



NOTE 9



mat'l code SEEN00E8				tolerances unless otherwise specified		CUSTOMER		FCI	
ltr	ecn no.	dr	date	linear	.XX $\pm$ .01/0.X $\pm$ 0.3	COPY		www.fciconnect.com	
F	V12500	DAI	10-16-01		.XXX $\pm$ .005/0.XX $\pm$ 0.13	projection		title VERTICAL HEADER w/o GUIDE PIN SIGNAL / POWER	
G	V12513	DAI	11-07-01	angles	.XXX $\pm$ .0020/.XXX $\pm$ .051			product family PWRBLADE code 213	
H	V21104	TAB	09-30-02	dr	0° $\pm$ 2°			size A	
J	DG05-0471	CS	11/16/05	enr	JR W 10-16-01	scale 1:1		dwg no 51705 sheet 1 of 3	
K	DG08-0239	JC	09/11/08	chr	J.ALLISON 10-16-01				
				appd	J.ALLISON 10-16-01				
sheet index	revision sheet	K 1	K 2	K 3					

cage code 22526

Pro/E

Tous droits strictement réservés. Reproduction ou communication à des tiers interdite sous quelque forme que ce soit sans autorisation écrite du propriétaire. Propriété de c FCI. Droits de reproduction FCI.

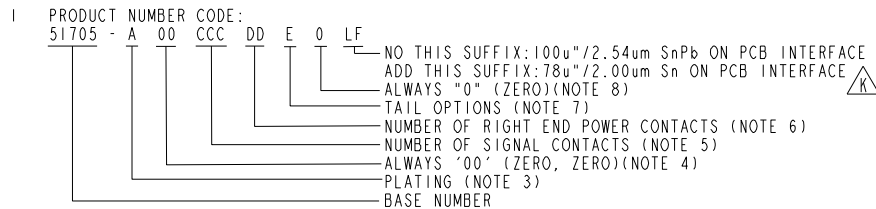


All rights strictly reserved. Reproduction or issue to third parties in any form whatever is not permitted without written authority from the proprietor. Property of FCI. Copyright FCI.

PRODUCT NUMBER
51705-A00CCDDE0_
SEE NOTE 1

DIM	LENGTH FORMULAS (SEE NOTE 10)
DIM "A"	.100 [2.54] x (CCC/4) + .250 [6.35] x DD + .090 [2.29] (NOTE 10)
DIM "E"	.100 [2.54] x (CCC/4) + .170 [4.32]
DIM "F"	.100 [2.54] x (CCC/4) + .250 [6.35] x DD + .120 [3.05]
DIM "H"	.100 [2.54] x (CCC/4)

CONNECTOR NOTES



- 2 HOUSING MATERIAL: UL94 V-0 HIGH GLASS FILLED TEMP THERMO PLASTIC.  
 SIGNAL CONTACT MATERIAL: COPPER ALLOY  
 POWER CONTACT MATERIAL: COPPER ALLOY
3. PLATING OPTION:  
 I = SEE PRINT 10064183 FOR PLATING SPEC OF 51705-100CCDDE0; 51705-100CCDDE0LF
- 4 THIS PART NOT AVAILABLE WITH LEFT SIDE POWER CONTACTS.
- 5 SIGNAL CONTACT, 004 TO 148 AVAILABLE.
- 6 RIGHT END POWER CONTACTS, 01 - 20 AVAILABLE.
- 7 TAIL OPTIONS:  
 A = 0.135 +0.015/-0.010 [3.43 +0.38/-0.25] SOLDER TO BOARD  
 B = 0.165 +0.015/-0.010 [4.19 +0.38/-0.25] SOLDER TO BOARD  
 C = 0.165 +0.015/-0.010 [4.19 +0.38/-0.25] PRESS FIT

- 8 BOARD RETENTION NOT AVAILABLE WITH GUIDELESS ENDS.
9. MANUFACTURE'S NAME, P/N, AND DATE CODE TO APPEAR ON THIS SURFACE.
10. THE MAXIMUM OVERALL LENGTH (DIM A) OF A PART IS 8.00 [203.2]
11. PRODUCT SPECIFICATION GS-12-149
12. SEE PWRBLADE VERTICAL HEADER SPECIAL WORKSHEET (51696) FOR MATING LENGTH OPTIONS.
13. DIMENSIONS AND TOLERANCES ARE IN ACCORDANCE WITH ASME Y14.5M, 1994 UNLESS OTHERWISE SPECIFIED.
- PCB NOTES:
14. ALL DIMENSIONS ARE BASIC UNLESS OTHERWISE SPECIFIED.
15. ALL THROUGH HOLES ARE LOCATED WITH A TRUE POSITION OF 0.004 [0.10]
16. ALL HOLE DIAMETERS ARE FINISHED HOLE SIZE.
17.  $\varnothing 0.0453 \pm 0.0010$  [1.151  $\pm 0.025$ ] DRILLED HOLES PLATED WITH 0.0003 [0.008] MIN SnPb OVER 0.001 [0.03] TO 0.003 [0.08] Cu PLATING TO ACHIEVE A  $\varnothing 0.040 \pm 0.003$  [1.02  $\pm 0.07$ ] HOLE.
18. FOR PRESS FIT APPLICATION USE FCI CAM TOOL 43169-XXX.
19. A SYMBOL WILL BE NEXT TO ANY DIMENSION, VIEW, OR NOTE WHICH HAS BEEN MODIFIED WITH THE CURRENT DRAWING REVISION.

mat'l code				NOTE 2		tolerances unless otherwise specified		CUSTOMER		FCI	
ltr	ecr no.	dr	date	linear	.XX±.01/0.X±0.3	projection		COPY		www.fciconnect.com	
K					.XXX±.005/0.XX±0.13			title		VERTICAL HEADER w/o GUIDE PIN SIGNAL / POWER	
				angles	.XXX±.0020/.XXX±.051			product family		PWRBLADE code	
				dr	0°±2°	MIM		size		213	
				enrg	JRW 10-16-01			dwg no		51705 sheet	
				chr	J.ALLISON 10-16-01	scale		A		2	
				appd	J.ALLISON 10-16-01	1:1					
sheet index	revision sheet										

cage code 22526

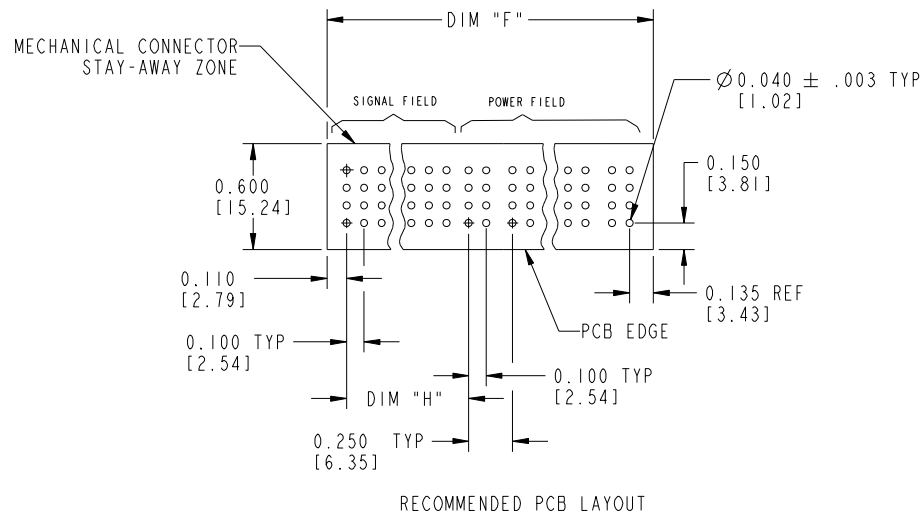
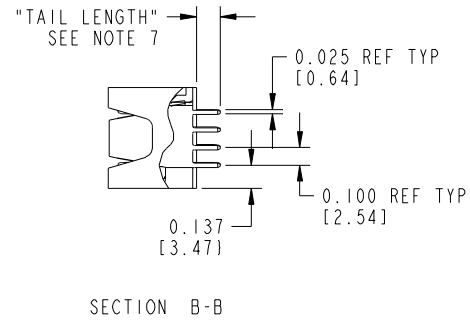
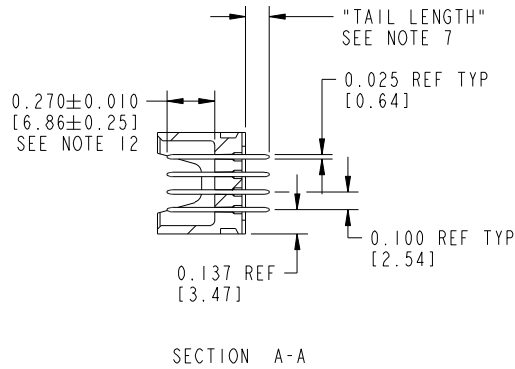
Pro/E

Tous droits strictement reserves. Reproduction ou communication a des tiers interdite sous quelque forme que ce soit sans autorisation ecrite du proprietaire. Propriete de c FCI. Droits de reproduction FCI.

All rights strictly reserved. Reproduction or issue to third parties in any form whatever is not permitted without written authority from the proprietor. Property of FCI. Copyright FCI.



PRODUCT NUMBER
51705-A00CCDDE0_
SEE NOTE 1



mat'l code		NOTE 2		tolerances unless otherwise specified		CUSTOMER		FCI	
ltr	ecn no.	dr	date	linear	.XX±.01/0.X±0.3	COPY		www.fciconnect.com	
K				angles	.XXX±.005/0.XX±0.13 .XXX±.0020/.XXX±.051	projection		title	
				dr	0° ± 2°	MIM		VERTICAL HEADER w/o GUIDE PIN SIGNAL / POWER	
				enr	JR W 10-16-01	scale		product family	
				chr	J. ALLISON 10-16-01	1:1		PWRBLADE	
				appd	J. ALLISON 10-16-01	A		code	
sheet index		revision sheet						size	
								dwg no	
								51705	
								sheet	
								3	

cage code 22526